

Low Noise, Wideband, High IP3

Monolithic Amplifier

PMA2-123LN+

50Ω 0.5 to 12 GHz



2mm x 2mm

The Big Deal

- Ultra wideband, 0.5 to 12 GHz
- Flat gain over wideband, 17.6 dB with ± 2.0 dB
- Low noise figure, 2.6 dB at 8 GHz
- High IP3, up to +28 dBm

Product Overview

The PMA2-123LN+ is a PHEMT based wideband, low noise MMIC amplifier with a unique combination of low noise, high IP3, and flat gain over wideband making it ideal for sensitive, high-dynamic-range receiver applications. This design operates on a single 5V or 6V supply, is well matched for 50Ω and comes in a tiny, low profile package (2 x 2 mm, 8 lead MCLP), accommodating dense circuit board layouts.

Key Features

Feature	Advantages
Low noise <ul style="list-style-type: none">• 2.2 dB at 2 GHz• 2.6 dB at 8 GHz	Enables lower system noise figure performance.
High IP3 <ul style="list-style-type: none">• +28 dBm at 2 GHz• +27 dBm at 8 GHz	Combination of low noise and high IP3 makes this MMIC amplifier ideal for use in low noise receiver front end (RFE) as it gives the user advantages of sensitivity and two-tone IM performance at both ends of the dynamic range.
Low operating voltage, 5V/6V.	Achieves high IP3 using low voltage.
2 x 2mm 8-lead MCLP package	Tiny footprint saves space in dense layouts while providing low inductance, repeatable transitions, and excellent thermal contact to the PCB.
Wide bandwidth with flat gain <ul style="list-style-type: none">• ± 0.3 dB over 0.5 to 2 GHz• ± 0.7 dB over 0.5 to 6 GHz• ± 1.2 dB over 0.5 to 8 GHz• ± 2.0 dB over 0.5 to 12 GHz	Enables usage in wideband applications flattening networks.



Low Noise, Wideband, High IP3

Monolithic Amplifier

0.5-12 GHz

Product Features

- Low Noise figure, 2.6 dB at 8 GHz
- High IP3, 27 dBm typ. at 8 GHz
- Excellent Gain flatness, ± 2.0 dB over 0.5 to 12 GHz at 6V



PMA2-123LN+

CASE STYLE: MC1631-1

Typical Applications

- WiFi
- WLAN
- UMTS
- LTE
- WiMAX
- S-band Radar
- C-band Satcom

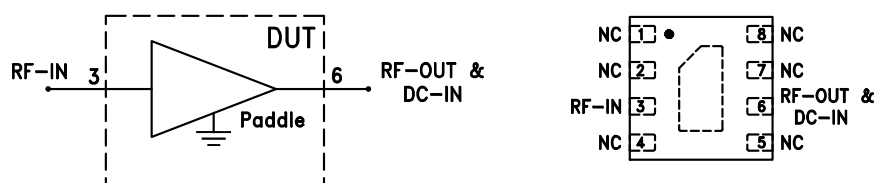
+RoHS Compliant

The +Suffix identifies RoHS Compliance. See our web site for RoHS Compliance methodologies and qualifications

General Description

The PMA2-123LN+ is a PHEMT based wideband, low noise MMIC amplifier with a unique combination of low noise, high IP3, and flat gain over wideband making it ideal for sensitive, high-dynamic-range receiver applications. This design operates on a single 5V or 6V supply, is well matched for 50 Ω and comes in a tiny, low profile package (2 x 2 mm, 8 lead MCLP), accommodating dense circuit board layouts.

simplified schematic & pad description



Function	Pad Number	Description (See Figure 2)
RF-IN	3	Connects to RF input via C1
RF-OUT & DC-IN	6	Connects to RF out and V_{DD} via Bias-Tee
Ground	Paddle	Connects to ground
No Connection	1,2,4,5,7,8	Not used internally. Connected to ground on Test Board

Electrical Specifications¹ at 25°C, unless noted

Parameter	Condition (GHz)	V _{DD} =6.0			V _{DD} =5.0			Units
		Min.	Typ.	Max.	Min.	Typ.	Max.	
Frequency Range		0.5		12.0	0.5		12.0	GHz
Noise Figure	0.5		2.5			2.5		dB
	2.0		2.2			2.1		
	8.0		2.6			2.5		
	10.0		3.0			2.9		
	12.0		3.1			3.0		
Gain	0.5		18.6			17.7		dB
	2.0		19.2			18.3		
	8.0	15.2	16.8	18.5	14.5	16.1	17.8	
	10.0		16.1			15.4		
	12.0		15.3			14.7		
Input Return Loss	0.5		7.0			6.2		dB
	2.0		12.0			10.5		
	8.0		9.8			9.1		
	10.0		9.7			9.1		
	12.0		9.8			9.6		
Output Return Loss	0.5		11.4			9.6		dB
	2.0		14.5			12.4		
	8.0		22.0			19.4		
	10.0		16.5			15.9		
	12.0		9.6			8.9		
Output Power at 1dB Compression ²	0.5		15.2			13.9		dBm
	2.0		15.3			13.9		
	8.0		14.9			13.3		
	10.0		14.9			13.3		
	12.0		14.0			12.5		
Output IP3	0.5		27.4			24.9		dBm
	2.0		28.0			25.1		
	8.0		27.0			24.6		
	10.0		26.8			24.8		
	12.0		26.3			24.8		
Device Operating Voltage (V _{DD})			6.0			5.0		V
Device Operating Current (I _{DD})			68	82		51		mA
Device Current Variation vs. Temperature ³			-11.7			9.3		µA/°C
Device Current Variation vs. Voltage			0.0187			0.0184		mA/mV
Thermal Resistance, junction-to-ground lead			107			107		°C/W

1. Measured on Mini-Circuits Characterization Test Board TB-MB014. See Characterization Test Circuit (Fig. 1)

2. Current increases at P1dB up to 10mA typ. at 5Volts V_{DD}

3. (Current at 85°C - Current at -45°C)/130

Absolute Maximum Ratings⁴

Parameter	Ratings
Operating Temperature (ground lead)	-40°C to 85°C
Storage Temperature	-65°C to 150°C
Junction Temperature	160
Total Power Dissipation	0.7W
Input Power (CW), V _d =5.6V ⁵	+23 dBm (5 minutes max.) +8 dBm (continuous)
DC Voltage	7V

4. Permanent damage may occur if any of these limits are exceeded.

Electrical maximum ratings are not intended for continuous normal operation.

5. Measured on Mini-Circuits Test Board, TB-MB014



Characterization Test Circuit

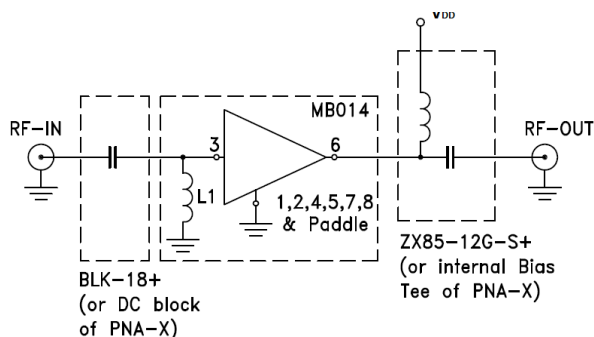


Fig 1. Application and Characterization Circuit

Note: This block diagram is used for characterization. (DUT soldered on Mini-Circuits Characterization test board TB-MB014+) Gain, Return loss, Output power at 1dB compression (P1 dB), output IP3 (OIP3) and noise figure measured using Agilent's N5242A PNA-X microwave network analyzer.

Conditions:

1. Gain and Return loss: Pin= -25dBm
2. Output IP3 (OIP3): Two tones, spaced 1 MHz apart, 0 dBm/tone at output.

Recommended Application Circuit

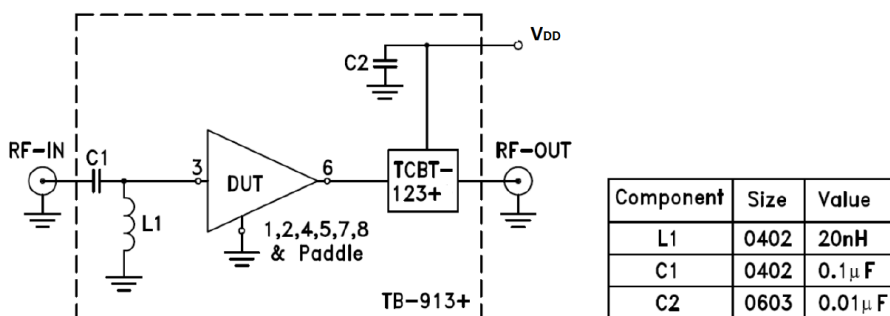


Fig 2. Test board (TB-913+) includes case, connectors and components soldered to PCB. (TB-913+ is a 3-layer PCB. See TB-913+ drawing.)

Product Marking



Marking may contain other features or characters for internal lot control

Additional Detailed Technical Information	
<i>additional information is available on our dash board. To access this information click here</i>	
Performance Data	Data Table
	Swept Graphs
	S-Parameter (S2P Files) Data Set (.zip file)
Case Style	MC1631-1 <i>Plastic package, exposed paddle, lead finish: tin silver over nickel</i>
Tape & Reel Standard quantities available on reel	F66 <i>7" reels with 20, 50, 100, 200, 500, 1K or 2K devices</i>
Suggested Layout for PCB Design	PL-490
Evaluation Board	TB-913+
Environmental Ratings	ENV08T1

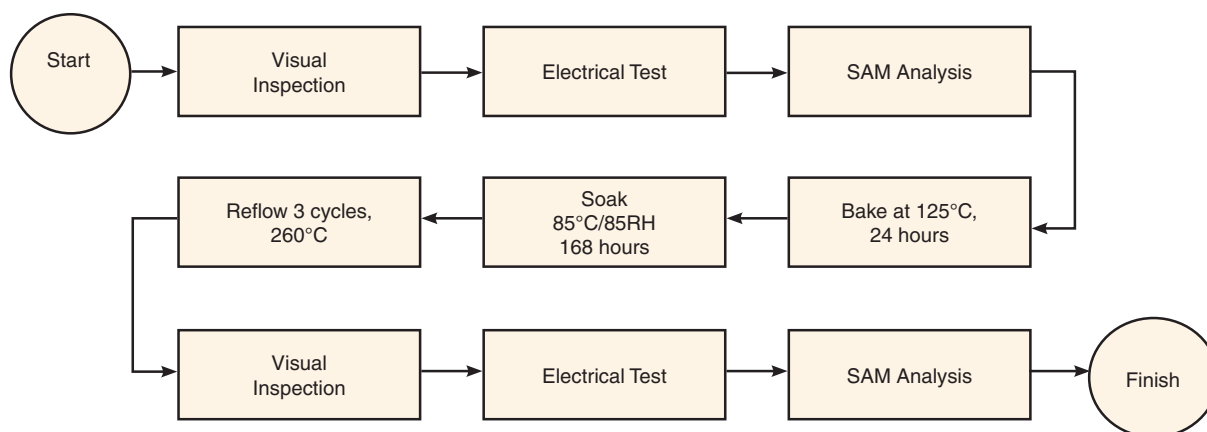
ESD Rating

Human Body Model (HBM): Class 1A (250 to <500V) in accordance with ANSI/ESD STM 5.1 - 2001

MSL Rating

Moisture Sensitivity: MSL1 in accordance with IPC/JEDEC J-STD-020D

MSL Test Flow Chart



Additional Notes

- A. Performance and quality attributes and conditions not expressly stated in this specification document are intended to be excluded and do not form a part of this specification document.
- B. Electrical specifications and performance data contained in this specification document are based on Mini-Circuit's applicable established test performance criteria and measurement instructions.
- C. The parts covered by this specification document are subject to Mini-Circuits standard limited warranty and terms and conditions (collectively, "Standard Terms"); Purchasers of this part are entitled to the rights and benefits contained therein. For a full statement of the Standard Terms and the exclusive rights and remedies thereunder, please visit Mini-Circuits' website at www.minicircuits.com/MCLStore/terms.jsp